



INFINITE
PERIPHERALS

STIMARE

INFINEA X

USER MANUAL

INFINEA[®] X



Made for

 iPod  iPhone

CONTACT INFORMATION

Web: www.stimare.net

General enquiries: info@stimare.net

Support: support@stimare.net

United States: 2001 Massachusetts Ave NW,
Washington,
DC 20036,
USA
Phone: +1 202 827 6856
or: +1 847 448 0412

United Kingdom: Unit 4, Bramber Court,
Bramber Road,
London, W14 9PW,
United Kingdom
Phone: +44 208 099 8071

Ireland: Units 2&3, M50 Business Park,
Ballymount Avenue, Ballymount,
Dublin, D12 HP11,
Ireland
Phone: +353 1 685 4600



INFINITE
PERIPHERALS

STIMARE 

LEGAL NOTICE

“Made for iPod”, “Made for iPhone” and made for “iPad” mean that an electronic accessory has been designed to connect specifically to the iPod, iPhone or iPad, respectively, and has been certified by the developer to meet Apple performance standards. Apple is not responsible for the operation of this device or its compliance with safety and regulatory standards. Please note that the use of this accessory with iPod or iPhone may affect wireless performance.

COMPATIBILITY

Made for:

iPod touch® 5th generation mobile digital device

iPhone® 5 mobile digital device

iPhone® 5s mobile digital device

iPad®, iPhone® and iPod touch® are trademarks of Apple, Inc., registered in the U.S. and other countries.

Lightning™ is a trademark of Apple, Inc.

The Bluetooth® word mark and logos are registered trademarks owned by Bluetooth SIG, Inc. and any use of such marks by Apple, Inc. is under license.

Infinea® X is a registered trademark of Infinite Peripherals, Inc.






TABLE OF CONTENTS

LEGAL NOTICE	1
COMPATIBILITY	1
BOX CONTENTS	4
ACCESSORIES	5
GETTING STARTED	6
<i>First Steps</i>	6
FEATURES	7
ABOUT THE INFINEA® X	8
<i>Figure 1: Dimensions</i>	8
<i>Figure 2: Front View</i>	9
<i>Figure 3: Back View</i>	10
<i>Figure 4: Top View</i>	10
<i>Figure 5: Bottom View</i>	10
<i>Figure 6: Left View</i>	11
<i>Figure 7: Right View</i>	11
ASSEMBLING THE INFINEA X	12
<i>iPhone and iPod Installation</i>	12
INSTALLING THE INFINEA X BATTERY PACK	13
<i>Standard and Extended Battery Installation</i>	13
CHARGING THE INFINEA X	14
<i>Battery Specifications</i>	14
<i>Charging Using an Electrical Outlet</i>	15
<i>Charging the User Replaceable Battery</i>	16
<i>Figure 8: Multi-bay battery charger</i>	16
<i>Disposal</i>	16
DEVELOPING APPLICATIONS	17
POWERING ON THE INFINEA X	18
<i>Dual Purpose Scan Button</i>	18
<i>Power On</i>	18
<i>Figure 9: Scan/Power Button</i>	18
<i>Barcode Scanning</i>	19
<i>RFID</i>	19
<i>Figure 10: RFID Antenna</i>	19
<i>Audio</i>	20
<i>Figure 11: Speakers and Toggle Button</i>	20
STATUS AND OPERATIONAL MODES	21
<i>Programmable LED Status</i>	21
<i>Figure 12: Programmable LED Status</i>	21
<i>Rear Speaker / Microphone Status</i>	22
<i>Figure 13: Speaker/Microphone Status</i>	22

<i>Manually Enable / Disable Rear Speaker</i>	22
RESET YOUR INFINEA X	23
<i>Figure 14: Reset feature</i>	23
SYNCING	24
<i>Figure 15: Sync feature</i>	24
TROUBLESHOOTING	25
<i>Troubleshooting > General</i>	25
<i>Troubleshooting > Scanner</i>	25
<i>Troubleshooting > RFID</i>	26
CLEANING INSTRUCTIONS	27
<i>Precautions</i>	27
<i>Cleaning guidelines for the Infinea X</i>	27
TECHNICAL DATA	28
Mechanical.....	28
Electrical.....	28
Environment.....	29
Ratings.....	29
Certifications.....	29
WARRANTY	30
DISCLAIMER	30
SYMBOLS FOR USE	31
FEDERAL COMMUNICATIONS COMMISSION	32
<i>Federal Communications Commission (FCC) Statement</i>	32
<i>FCC RF Radiation Exposure Statement</i>	32

BOX CONTENTS

The Infinea X will ship with the items listed in the table below. Standard battery shipped with Infinea X. Please see **Accessories** section below for extended battery options.

Qty.	Part Number	Description	Image
1	*IX-I2DBTR-PH5-WH *IX-I2DBTR-PH5-BK *IX-I2DBTR-POD5-BK *IX-I2DBTR-POD5-WH	Infinea X	
1	A5005-017	USB charging/sync cable	
1	* IX-BP (White) * IX-BP-BK (Black)	Battery Pack (1900mAh)	
6	IX-H0008	Torx T6 Screws	
1	QS-00001	Infinea X Quick Start Guide	

**Note: Box contents may vary based on order configuration.*

ACCESSORIES

The following additional accessories may be purchased for use with the Infinea X.

Part Number	Description
IX-BP-EXT	Extended battery pack (3800mAh), white
IX-BP-EXT-BK	Extended battery pack (3800mAh), black

GETTING STARTED

The Infinea X allows you to scan barcodes into the iPod touch 5 or iPhone 5. Before using your Infinea X, the battery should be fully charged. The following table will help you get your Infinea X ready for use.

FIRST STEPS

Step	Purpose	Additional Information
1. Install battery	Batteries are shipped with approximately 50% of full charge capacity and should be fully charged before initial use to ensure long battery life.	See manual section: INSTALLING THE INFINEA X BATTERY PACK
2. Charge the Infinea X		See manual section: CHARGING THE INFINEA X
3. Install software	Use of the Barcode Scanner, RFID reader and LED indicator features requires the installation of software on your iPod or iPhone.	See manual section: DEVELOPING APPLICATIONS
4. Power on the Infinea X	Initialize barcode scanner and/or RFID functions for use.	See manual section: USING THE INFINEA X

FEATURES

Feature	Description
2D Barcode Scanner	The Infinea X supports one-dimensional (1D) and two-dimensional (2D) barcode symbols, which can be read in any direction (omni-directional). The effective reading distance of the barcode reader varies depending on the barcode size. The barcode scanner is capable of reading barcodes on an LCD screen.
RFID (Radio Frequency Identification)	The Infinea X has an RFID (Radio Frequency Identification) tag/card reader with read and write capability at 13.56 MHz. The RFID reader incorporates several RFID formats, depending on the model of your Infinea X.
Audio	The Infinea X has built-in, enhanced front and rear speakers that are programmable through the Universal SDK.
Battery	User replaceable Li-ion battery.
Indicators	The Infinea X has three programmable indication features: audible, visual and haptic. An Internal electro-magnetic buzzer provides the audible indicator. For visual indications, there are 4 multi-color SDK programmable LEDs (blue, green, red and orange). These LEDs also provide battery status. The haptic indicator is a programmable vibration motor.
Power Monitoring	The Infinea X contains an on board fuel gauge that facilitates accurate monitoring of significant battery attributes using the SDK.
Bluetooth Compatibility	Available Bluetooth 2.0 SPP compatibility, which allows connection to a Bluetooth peripheral, such as a printer.
Ruggedized Case	The Infinea X case is IP54 rated for protection against dust and fluid ingress. The case material is antimicrobial, which inhibits growth of bacteria on the product.

ABOUT THE INFINEA® X

The Infinea X allows mobile employees to convert their iPod touch 5 or iPhone 5 into a powerful solution for warehousing, field services, and healthcare industries. The Infinea X includes a 1D/2D barcode scanner, Bluetooth and RFID.

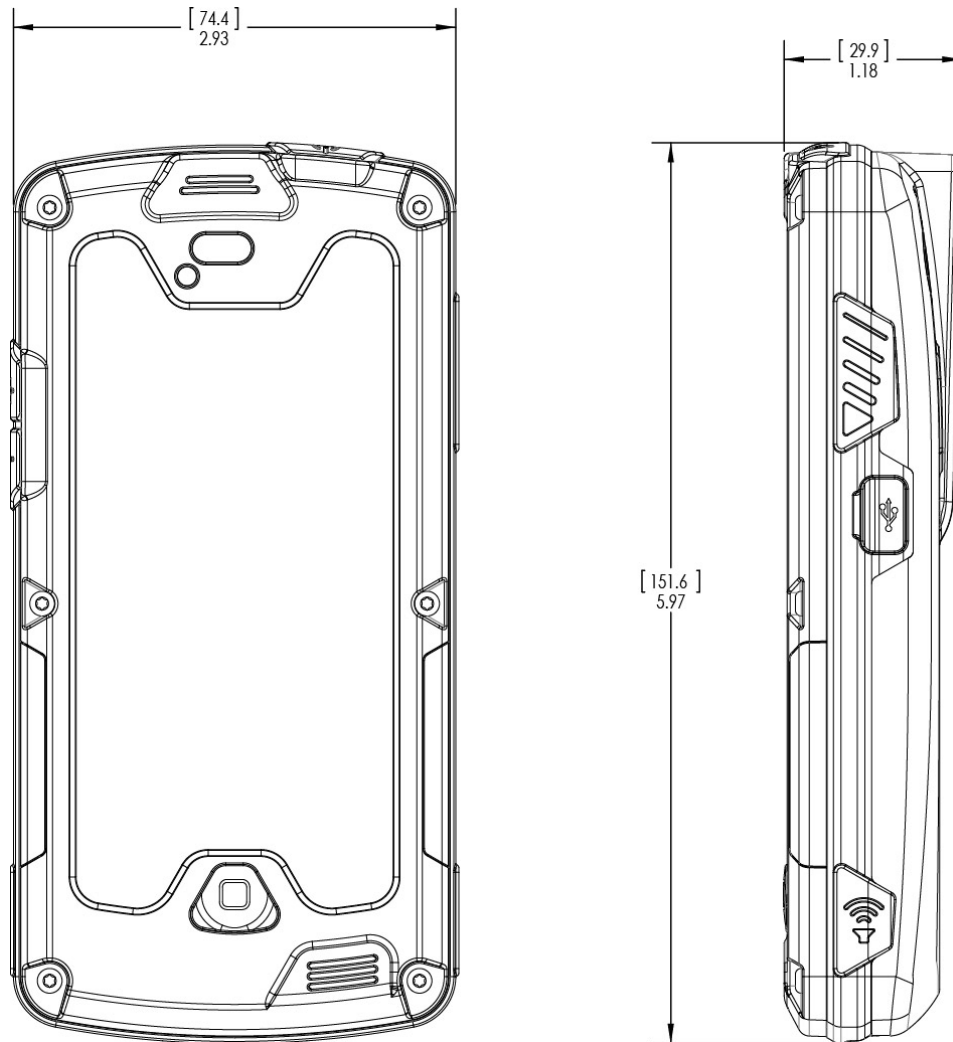


Figure 1: Dimensions

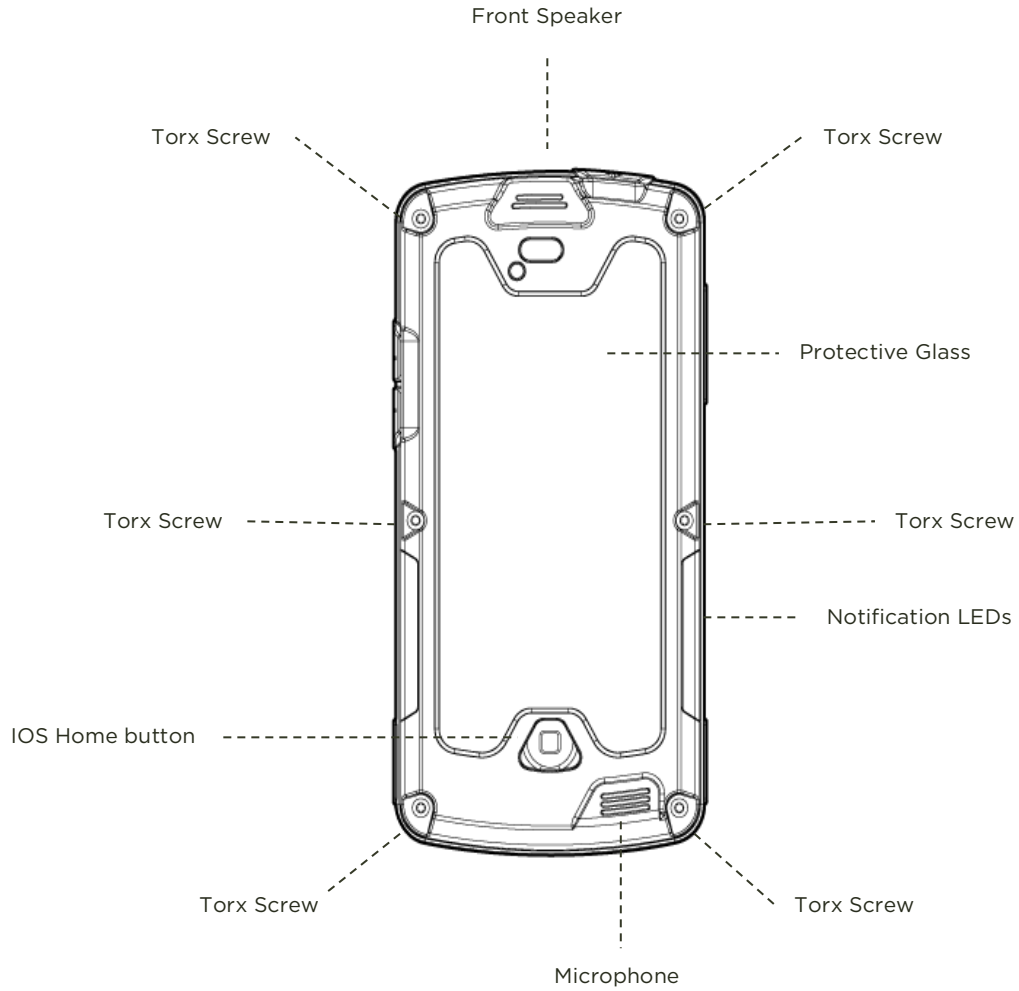


Figure 2: Front View

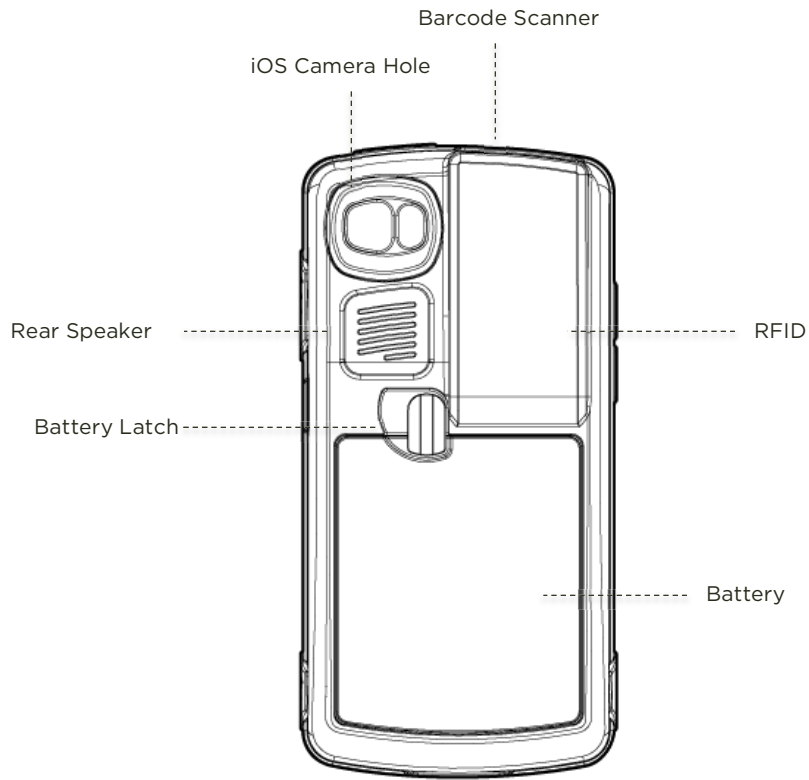


Figure 3: Back View

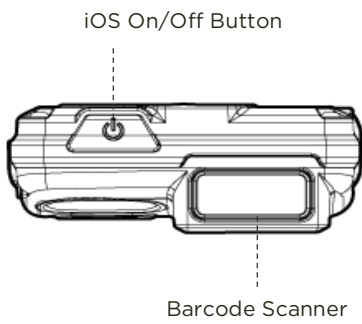


Figure 4: Top View

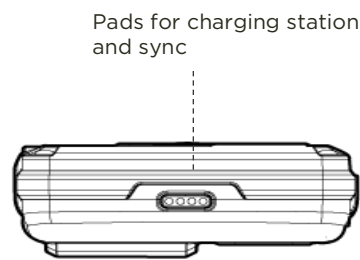


Figure 5: Bottom View

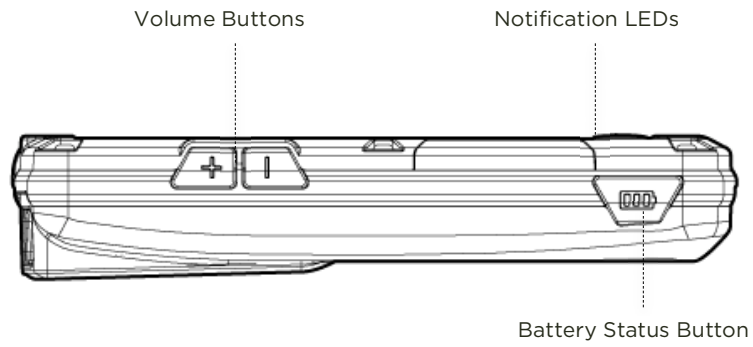


Figure 6: Left View

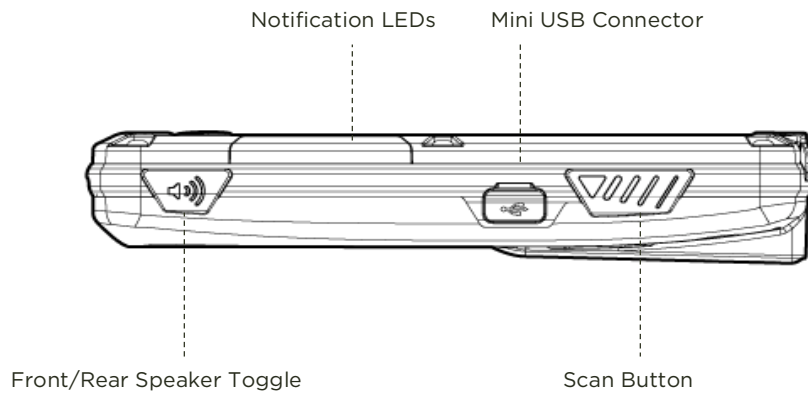


Figure 7: Right View

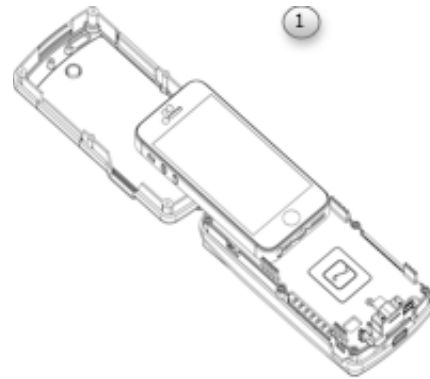
ASSEMBLING THE INFINEA X

IPHONE AND IPOD INSTALLATION

1. Open the Infinea X, slide the iOS product* on to the lightening connector until it clicks into place.

Clean the iOS screen with a lint-free cloth, if needed.

*Infinea X is molded specifically to iPod touch 5, iPhone 5 and iPhone 5s specifications. iOS devices are not interchangeable



2. Close the cover, maintaining the position of the rubber protective bumper.

 **CAUTION**

Take care to not damage wire connecting the top and bottom covers.

3. Secure the cover by inserting and tightening 6 Torx screws.



INSTALLING THE INFINEA X BATTERY PACK

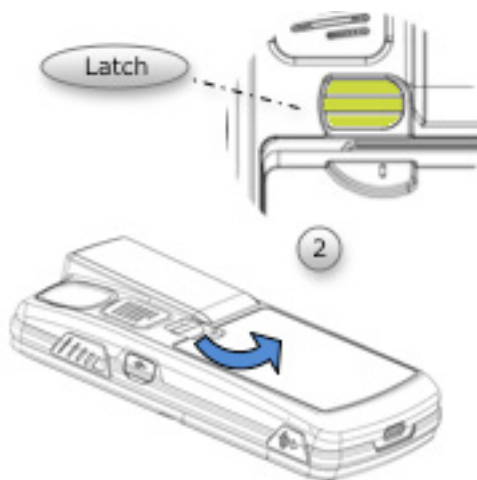
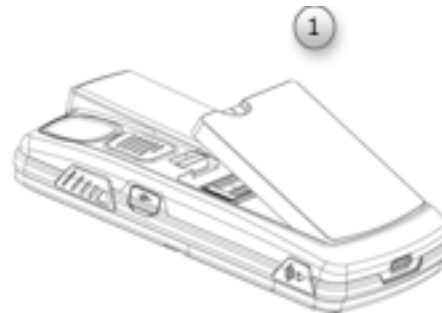
STANDARD AND EXTENDED BATTERY INSTALLATION

The Infinea X is designed to support Standard and Extended external swappable battery packs. The swappable battery pack design reduces down time of the Infinea X. Follow the steps below to install or replace your Infinea X battery pack.

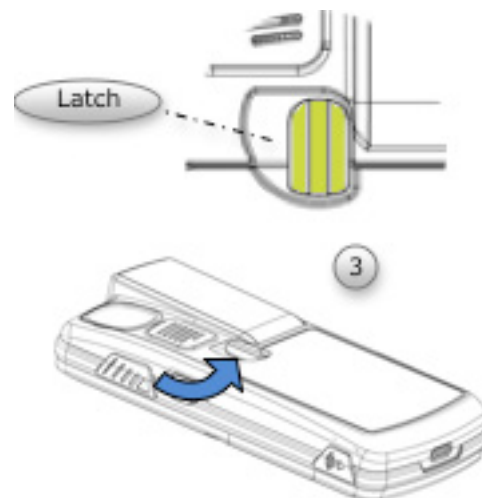
1. Check that the battery-latch is in the fully open position.

⚠ Caution

Take care not to force the battery into place if the latch is in the close/lock position.



2. Lower the battery pack into place as shown in the figure on the left. The battery should sit flat when installed correctly.



3. With slight pressure on the backside of the battery pack, rotate the latch counter-clockwise 90-degrees or until the battery is securely locked in place as shown in the figure on the right.

CHARGING THE INFINEA X

There are two options for charging the Infinea X:

- By outlet
- By user replaceable battery

The Infinea X supports pass through charging to the iOS device. An iPod or iPhone and Infinea X combination may be charged with a USB to AC adapter or by station charger. Due to current requirements, the Infinea X and iPod or iPhone combination cannot be charged with a USB cable to a PC.

The Infinea X uses a Lithium Ion rechargeable battery. Before first use, the battery pack should be charged for at least 4 hours.

BATTERY SPECIFICATIONS

The Infinea X standard battery has a capacity of 1,900 mAh. The extended battery pack (sold separately) offers a capacity of 3,800 mAh.

The charge time for an empty battery to become 100% full is 3.5 hours for the standard battery and 7 hours for an extended battery pack.

Standard Battery



Extended Battery



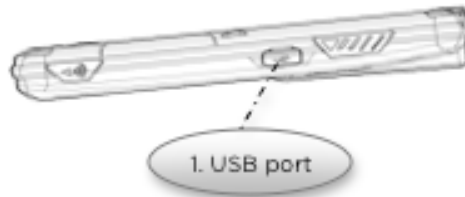
Battery Life Status	
75%-100%	LEDs are solid green upon pressing the Battery Status button.
50%-74%	LEDs flash green upon pressing the Battery Status button.
25%-49%	LEDs flash orange upon pressing the Battery Status button.
0%-24%	LEDs flash red upon pressing the Battery Status button.
0%-9%	One LED automatically flashes red to indicate emergency low battery status.

Note: When remaining battery capacity is below 30%, the automatic charge of the iOS device stops.

CHARGING USING AN ELECTRICAL OUTLET

To prevent electrical damage to the Infinea X and/or battery, please use approved USB to Mini USB cables only

1. Connect mini USB charger cable as shown below.

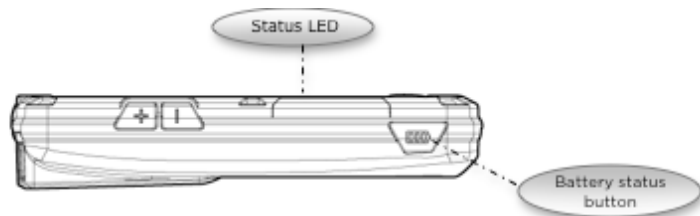


2. Plug the USB end of the cable into an AC wall adaptor. This AC adapter must support at least 2.1 amps.



3. To check the battery life, you can press the Battery Status button and look at the status LEDs.

Refer to the table to determine the battery life in relation to the LEDs.



CHARGING THE USER REPLACEABLE BATTERY

The multi-bay battery charger is an available accessory. 10 batteries may be charged at once. Each battery slot has an individual LED charge indicator. A red LED indicates that charging is in progress. A green LED indicates that the battery is fully charged. A typical full charge takes approximately 2.5 hours for a standard capacity battery and 5 hours for an extended capacity battery.



Figure 8: Multi-bay battery charger



WARNING

This battery charger is intended for use in charging only Infinite Peripherals Infinea X standard and extended battery packs. Do not use this battery charger for any other battery types.

DISPOSAL

Dispose of used batteries appropriately, according to federal law. This may include disposing of them at a battery-recycling center or hazardous waste collection site.



DEVELOPING APPLICATIONS

Software is not provided with your Infinea X. Please contact your reseller or Infinite Peripherals for Third Party software solutions.

Integrating the Infinea X into your iOS application requires the use of the Infinite Peripherals Universal SDK. The SDK incorporates an API specifically for developing applications to use the functionality of the Infinea X; including, but not limited to, barcode scanning, read/write RFID and programmable LED capability of the Infinea X.

For additional details on using the Infinite Peripheral Universal SDK, please refer to the SDKs documentation.

For the latest Infinite Peripheral Universal SDK please visit our developer portal:

<http://www.ipcprint.com/developer>

POWERING ON THE INFINEA X

DUAL PURPOSE SCAN BUTTON

The Infinea X uses a dual-purpose Scan/Power button to power on the Infinea X unit, as well to scan barcodes. When the Infinea X is left idling for an extended period, the unit automatically goes into sleep mode to preserve the charge of the internal battery pack.

POWER ON

When the Infinea X is in the Off/Sleep mode, briefly press the Scan button to power on the unit. A single beep indicates the Infinea X is ready for use.

Pressing the scan button a second time will activate the scanner for normal barcode scanning.

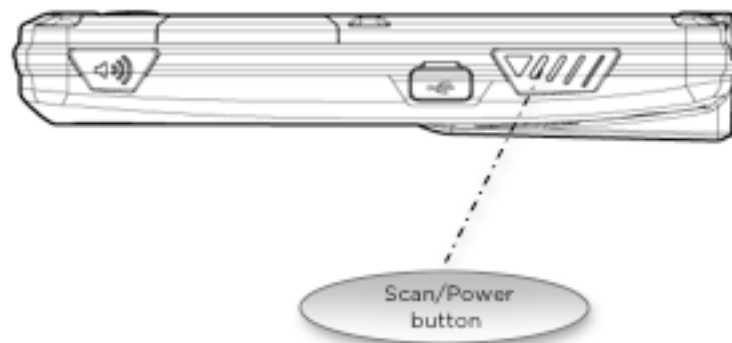


Figure 9: Scan/Power Button

User Notes

Custom software must be used in order for the Infinea X to communicate with the iOS device. Please consult your reseller for this software, or contact Infinite Peripherals for recommendations on compatible third party software solutions.

BARCODE SCANNING

To scan a barcode:

1. Turn on the Infinea X by pressing the scan button.
2. Position the scan head so that the red target is aimed at the barcode, and the barcode is within the width of the red illumination cross hairs.
3. Slowly pull back the device to increase the distance between the barcode and scanner, until the scanner has read the barcode.



WARNING

The barcode scanner uses a Class 2 laser. Do not stare into the beam.

RFID

To capture RFID information:

1. Activate the Infinea X by pressing the Scan button.
2. Place the RFID tag/card over the receiver/transmitter. Keep the face of the tag/card flat with the receiver/transmitter and as close as possible.



Figure 10: RFID Antenna

Tips:

Depending on the type of RFID tags/cards being used, it may be necessary for tags/cards to make direct contact with the surface where the RFID receiver/transmitter is located for proper read/write.

AUDIO

If your iOS device is already assembled into the Infinea X device:

1. To enable the front speaker on the Infinea X, momentarily press the lower right-side button. The blue LED will be off when the front speaker is enabled. (The rear speaker is now disabled.)
2. To enable the rear speaker on the Infinea X, momentarily press the lower right-side button. The blue LED will be lit when the rear speaker is enabled. (The front speaker is now disabled).

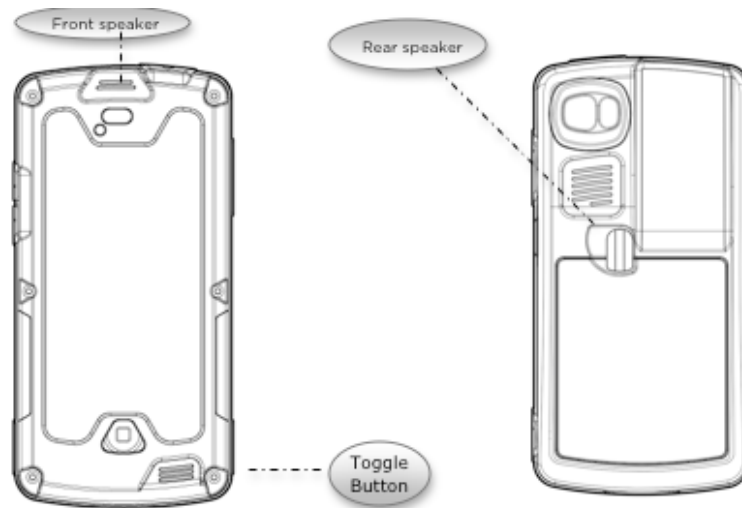


Figure 11: Speakers and Toggle Button

STATUS AND OPERATIONAL MODES

PROGRAMMABLE LED STATUS

The Infinea X provides application developers with programmable, multi-color LEDs, as shown in the figure below.

Supported Colors

- Red
- Blue
- Green
- Orange

Note: For information on programming the Infinea X LEDs, refer to the SDK documentation.

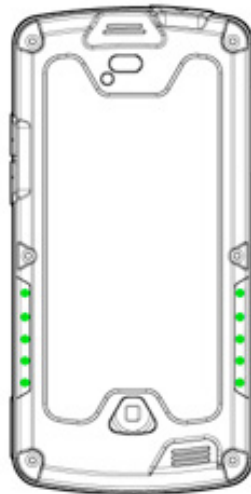


Figure 12: Programmable LED Status

REAR SPEAKER / MICROPHONE STATUS

The Infinea X provides application developers with a programmable feature to Enable/Disable the Infinea X rear speaker and microphone.

When the speaker is enabled, a single blue LED is lit on the right side of the unit, as shown in the figure below.



Figure 13: Speaker/Microphone Status

MANUALLY ENABLE / DISABLE REAR SPEAKER

To disable the rear speaker manually, press the lower right button to toggle the rear speaker mode.

Speaker/Mic Mode	Speaker/Mic LED
Enabled	On
Disabled	Off

RESET YOUR INFINEA X

The Infinea X uses the Battery Status indicator button and the Scan button to perform a soft-reset without removing the iOS device. The soft-reset feature cycles the power, allowing the Infinea X to restart.



Figure 14: Reset feature

To perform the reset function:

1. Press the Scan button and Battery Status indicator buttons simultaneously for about 3 seconds. The Infinea X main board will reset and provide an audible “beep” as confirmation.
2. Release both buttons to allow the Infinea X to restart.

If the Infinea X does not restart, repeat steps as needed.

SYNCING

To sync an iPod/iPhone with iTunes through the Infinea X, connect the Infinea X to a computer using a mini USB cable, as shown in the figure below.

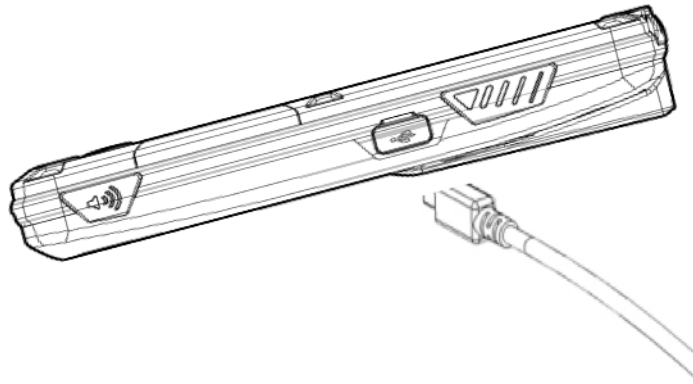


Figure 15: Sync feature

The Infinea X should be in Sync mode. Refer to the iTunes documentation for instruction on syncing your iPod and iPhone.

To disable Sync mode, exit iTunes and then unplug the Infinea X from the mini USB cable.

If syncing feature does not function as described above, please contact your software application developer, as the sync feature may be disabled within your application.

TROUBLESHOOTING

If you are having problems not related to scanning barcodes or reading/writing RFID Tags/Cards, refer to the table below for possible causes.

TROUBLESHOOTING > GENERAL

Problem		Possible Cause
1.	iOS device will not sync to iTunes.	<ul style="list-style-type: none"> • USB cable not connected correctly • Infinea X USB port not configured for sync.
2.	iOS touch screen does not respond to swipe and tap gestures.	<ul style="list-style-type: none"> • Top cover not properly installed. • iOS device requires power cycle.
3.	Audio playback not heard from front or rear speaker.	<ul style="list-style-type: none"> • Infinea X front speaker cable may be disconnected.
4.	iOS device will not charge.	<ul style="list-style-type: none"> • AC adapter may not meet current requirements. • USB cable may not meet current requirements.

TROUBLESHOOTING > SCANNER

If you are having problems scanning barcodes, refer to the table below for possible causes.

Problem		Possible Cause
1.	Scanner does not turn On.	<ul style="list-style-type: none"> • Infinea X battery is low. • Infinea X not powered on by software. • Scan engine is faulty. • USB cable connected to Infinea X.
2.	No barcode data returned during scanning.	<ul style="list-style-type: none"> • Barcode is unreadable. • Infinea X battery is low. • Scan engine is faulty. • Software decoding incorrectly.
3.	Unable to perform multi-scanning.	<ul style="list-style-type: none"> • Multi-scan mode not enabled. • Software does not support multi-scans.
4.	Unable to hear scanner beep.	<ul style="list-style-type: none"> • Sound mode not enabled. • Infinea X battery is low.
5.	Unable to scan certain barcodes symbols.	<ul style="list-style-type: none"> • Barcode type is not configured.

TROUBLESHOOTING > RFID

If you are having problems reading or writing RFID Tags/Cards, refer to the table below for possible causes.

Problem		Possible Cause
1.	RFID does not turn On.	<ul style="list-style-type: none"> • Infinea X battery is low. • Infinea X not powered on by software. • RFID reader is faulty. • USB cable connected to Infinea X.
2.	No/partial RFID data returned during scanning.	<ul style="list-style-type: none"> • Unreadable RFID tag/card. • Infinea X battery is low. • Faulty RFID reader. • Software decoding incorrectly.
3.	Unable to read certain RFID Tags/Cards.	<ul style="list-style-type: none"> • RFID type is not configured.

If you have problems with your Infinea X after referring to the table above, please contact your technical support below at support@ipcprint.com.

CLEANING INSTRUCTIONS

PRECAUTIONS

The Infinea X is certified to meet IP54 Ingress Protection Marking per IEC 60529. Per the IP54 rating, the Infinea X is protected against interference with normal operation of the Infinea X sled caused by dust and splashing liquids. At no time should the Infinea X sled be completely immersed in liquid. Total submersion of the device may allow liquid to enter the unit and impair its normal function. Immersion will also void the Infinea X warranty.

The Infinea X is molded using medical-grade materials that are formulated with an anti-microbial additive. Please review the specifications for Silver Seal™ to ensure that the specifications are sufficient and appropriate for the intended use and environment. The end user should determine an appropriate cleaning procedure that complies with any facility and/or industry-specific cleaning requirements. The following information is a general cleaning guideline that should be followed to ensure the Infinea X maintains its normal operation.

CLEANING GUIDELINES FOR THE INFINEA X

- Do NOT autoclave, machine wash, pressure-sterilize or gas-sterilize the Infinea X.
- Do NOT soak or immerse in any liquid.
- Clean the Infinea X only when the battery module is properly installed and locked into the Infinea X. This will ensure proper sealing of the Infinea X prior to introducing any solutions and/or wipes used during the cleaning process.
- Apply cleaning solutions with a soft lint-free cloth. If the solution comes in the form of a wipe, ensure the wipe is lint-free and will not scratch the plastic surfaces (especially the scan window). Excessive solution that resides in any of the waterproof membrane or gasket areas can seep into the devices and cause damage to the internal components.
- Do not touch, press or rub the display and/or covers with abrasive cleaning compounds, instruments, brushes, rough surface material or bring the display and/or covers into contact with products that could potentially scratch the display or covers.
- To clean the Infinea X screw areas, use a soft-bristled brush with approved cleaning solutions. Focus cleaning in the screw areas, ensuring that the brush is not used in areas that contain seals or gaskets.
- Do not use ammonia based, petroleum-based or acetone cleaning solutions to clean the Infinea X. Also avoid harsh solvents.
- Use the following cleaning solutions only to clean the Infinea X exterior surfaces:
 - Clorox® Bleach (10%)
 - Isopropyl Alcohol Wipes (70%)

TECHNICAL DATA

MECHANICAL	
Compatibility	iPod touch® 5 th generation, iPhone® 5, iPhone® 5s
Dimensions	148mm (L) x 72mm (W) x 31mm (H) 5.83in. (H) x 2.84in (W) x 1.22in (H)
Weight	200 g with battery (7.5 oz.)
Vibration Motor	Haptic indication
ELECTRICAL	
Device Charging	Charging via USB connector through mini-USB cable. Using a minimum of 2.1A USB charger (Apple provided AC adapter is not acceptable). Optional charging through charger station (sold separately).
Communications	USB Interface between Infinea X and iPod/iPhone via Lightning connector. USB Synchronization between iPhone/iPod & PC via mini USB connector.
Power Consumption	Deep sleep ~20uA
Barcode Scanner	2D High Speed Imager, Aimer; 650nm Class 2 laser. Image sensor 752 x 480 CMOS
Barcode Type	<u>1D Symbologies:</u> <ul style="list-style-type: none"> • EAN/UPC • GS1 Databar (limited expanded & omni-directional) • RSS • Code 39 • Code 128 • UCC/EAN 128 • ISBN • ISBT • Interleaved/Matrix/Industrial and Standard 2 of 5 • Codabar • Code 93/93i • Code 11 • MSI • Plessey • Telepen <u>Postal Codes:</u> <ul style="list-style-type: none"> • Australian Post • BPO • Canada Post • Dutch Post • Japan Post • PostNet • Sweden Post <u>2D Symbologies:</u> <ul style="list-style-type: none"> • Data Matrix • Reversed Data Matrix • PDF417 • Micro PDF417

	<ul style="list-style-type: none"> • Codablock • Maxicode • QR • Aztec • GS1 composite codes
RFID Reader (optional)	<ul style="list-style-type: none"> • MIFARE MINI • MIFARE CLASSIC-1K • MIFARE CLASSIC-4K • MIFARE ULTRALIGHT • ULTRALIGHT-C • ISO 14443, ISO 15693 • MIFARE PLUS 2K/4K • DESFire card • FeliCa
Bluetooth® Communication	Bluetooth 2.0 Serial Port Profile (SPP) compatibility Class 2 Distance - Up to 10m (30 feet)
Buttons	Scan button Battery Status button Speaker front/rear toggle button
LED	4 programmable color LEDs (green, blue, red and orange)
Battery	User-replaceable rechargeable hard pack Li-ion Battery 3.7V 1900mAh
Cables	Standard USB A to mini B cable
Audio Indicator	Electromagnetic buzzer and loud speaker
ENVIRONMENT	
Temperature	Operating temperature: 10°C to 40°C Storage temperature: -20°C to +50°C
Humidity	Operating humidity: 5 to 90% RH Storage humidity: 5 to 90% RH
RATINGS	
Drop Rating (meters)	1.22m (4 ft.) IP 54 rated
CERTIFICATIONS	
CE, FCC, Apple MFi	








WARRANTY

Infinite Peripherals (IPC) does not warrant, and is not responsible for, any damage to the Infinea X or the assembled iOS product as a result of liquid or solid particle intrusion into the Infinea X or damaged caused by dropping the Infinea X with the assembled iOS product. If a material or workmanship defect arises with regard to any IPC product, and a valid claim is received within the Warranty Period, IPC (at IPC's sole discretion) will (1) repair the Infinea X product using new or refurbished parts or (2) replace the Infinea X product with a new or refurbished Infinea X product. For purposes of this limited warranty, "refurbished means a product or part that has been substantially returned to its original specifications. In the event of a defect, these are your exclusive remedies.

DISCLAIMER

NO WARRANTY. This technical documentation is provided as is. Furthermore, the documentation does not represent any commitment on the part of Infinite Peripherals, Inc. and does not warrant that it is accurate, complete or error-free. Any use of the technical documentation is at the risk of the user. Infinite Peripherals, Inc. reserves the right to make changes to specifications or other information contained within this document, without prior notice, and the reader should in all cases consult Infinite Peripherals, Inc. to determine whether any such changes have been made. Infinite Peripherals, Inc. shall not be liable for technical or editorial errors or omissions contained herein; nor for incidental or consequential damages resulting from the furnishing, performance, or use of this material. Infinite Peripherals, Inc. does not assume any product liability arising out of, or in connection with, the application or use of any product or application described herein.

SYMBOLS FOR USE

Symbol	Definition
	Consult Instructions for Use
	Manufacturer
	Manufacture Date
	Caution
	Serial Number
	Part Number
	Waste Electrical and Electric Equipment

FEDERAL COMMUNICATIONS COMMISSION

FEDERAL COMMUNICATIONS COMMISSION (FCC) STATEMENT

15.21

You are cautioned that changes or modifications not expressly approved by the part responsible for compliance could void the user's authority to operate the equipment.

15.105(b)

This equipment has been tested and found to comply with the limits for a Class B digital device, pursuant to part 15 of the FCC rules. These limits are designed to provide reasonable protection against harmful interference in a residential installation. This equipment generates, uses and can radiate radio frequency energy and, if not installed and used in accordance with the instructions, may cause harmful interference to radio communications. However, there is no guarantee that interference will not occur in a particular installation. If this equipment does cause harmful interference to radio or television reception, which can be determined by turning the equipment off and on, the user is encouraged to try to correct the interference by one or more of the following measures:

- Reorient or relocate the receiving antenna.
- Increase the separation between the equipment and receiver.
- Connect the equipment into an outlet on a circuit different from that to which the receiver is connected.
- Consult the dealer or an experienced radio/TV technician for help.

Operation is subject to the following two conditions:

1. This device may not cause interference and
2. This device must accept any interference, including interference that may cause undesired operation of the device.

FCC RF RADIATION EXPOSURE STATEMENT

This equipment complies with FCC radiation exposure limits set forth for an uncontrolled environment. End users must follow the specific operating instructions for satisfying RF exposure compliance. This transmitter must not be co-located or operating in conjunction with any other antenna or transmitter.